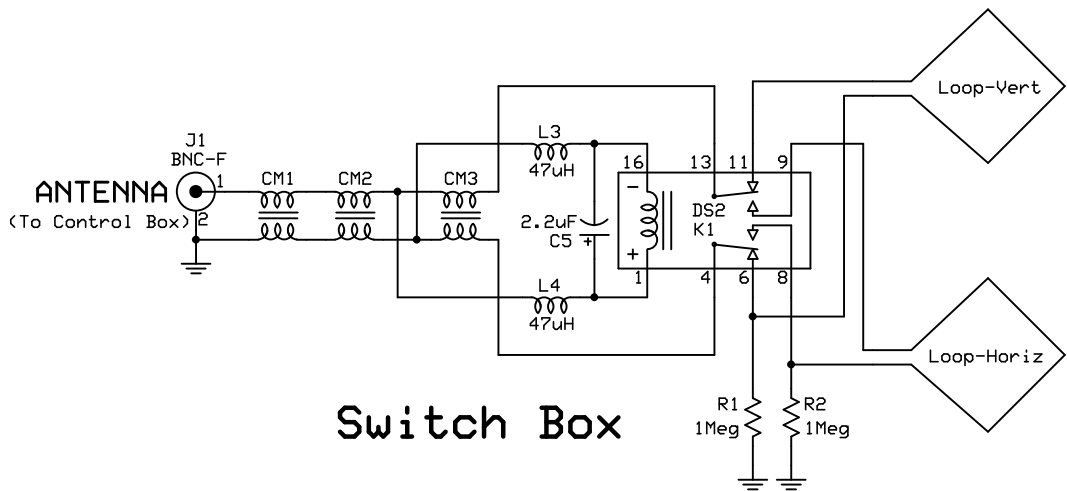


The rise and fall times of the voltage to the relay are increased so that the maximum transient to the receiver is about 10mV. Multiple PTCs were used since about 14 ohms of resistance was needed and current limiting is provided in the case of a fault.

Control Box



Switch Box

The Nais DS2 type relay has bi-furcated contacts and a coil resistance of 360 ohms. The relay contacts provide >40dB of isolation between vertical and horizontal polarization at 30MHz and increasing isolation at lower frequencies. Common mode chokes CM1 and CM2 provide >1000 ohms of choking over the HF range and CM3 provides nearly as much to insure good balance. R1 and R2 are for static bleed. The 47uH inductors handle 160mA DC and have the 1st resonance at 45MHz and C4 reduces the transient the receiver sees.

Mobile Shootout Measurement		
L. Benko, W0QE	Rev 1.0	Page 1 of 1
	10/12/2011	